



Installation instructions, accessories

Volvo Car Corporation Gothenburg, Sweden

Instruction No	Version	Part. No.
31214536	1.2	30744133, 30744142

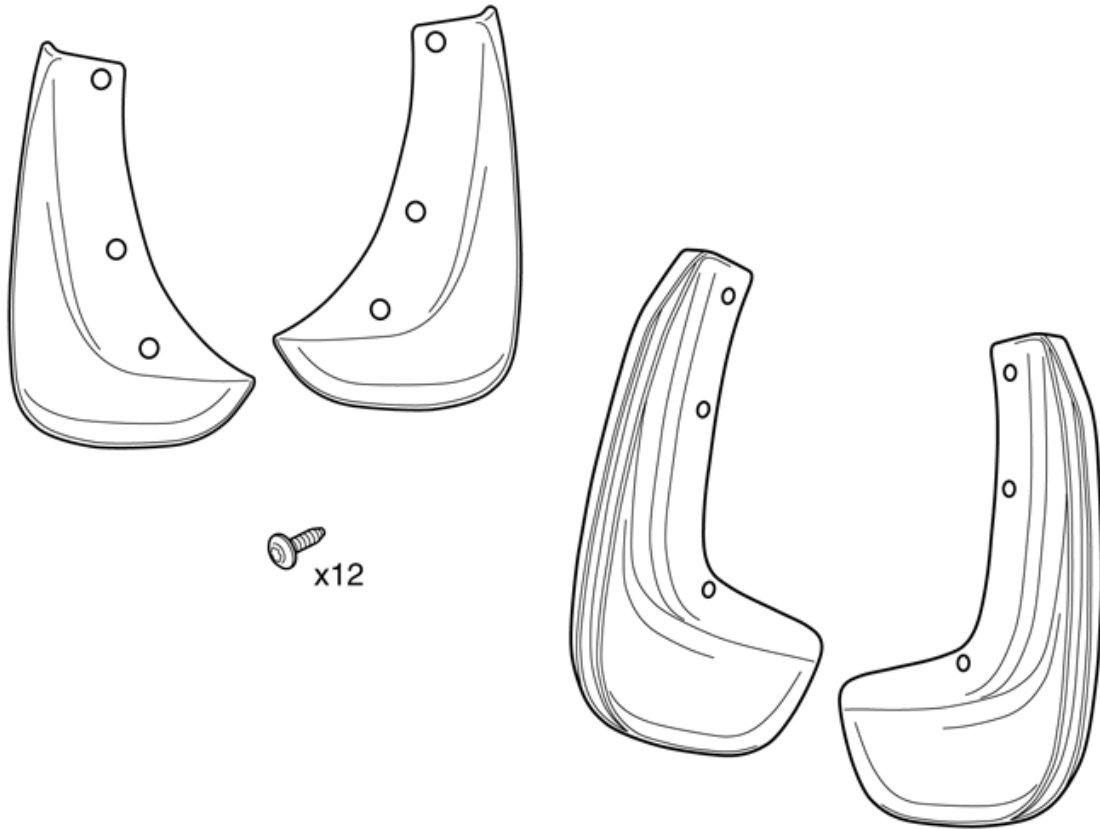
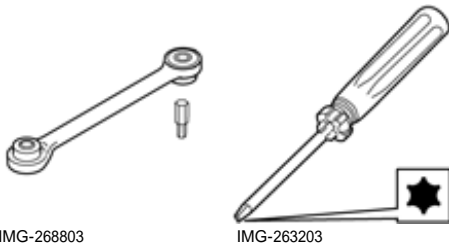
Mudflaps



Installation instructions, accessories

Volvo Car Corporation Gothenburg, Sweden

Equipment



IMG-262234



Installation instructions, accessories

Volvo Car Corporation Gothenburg, Sweden

Any comments on this publication? Please contact your nearest retailer. Thank You!

Publ.no:	Issue:	Kit no:
Comments:.....		
.....		
.....		
.....		

From:	
Address:	
Telephone:	
Telefax:	

IMG-213320



Installation instructions, accessories

Volvo Car Corporation Gothenburg, Sweden

INTRODUCTION

Read through all of the instructions before starting installation.

Notifications and warning texts are for your safety and to minimise the risk of something breaking during installation.

Ensure that all tools stated in the instructions are available before starting installation.

Certain steps in the instructions are only presented in the form of images. Explanatory text is also given for more complicated steps.

In the event of any problems with the instructions or the accessory, contact your local Volvo dealer.

Note!

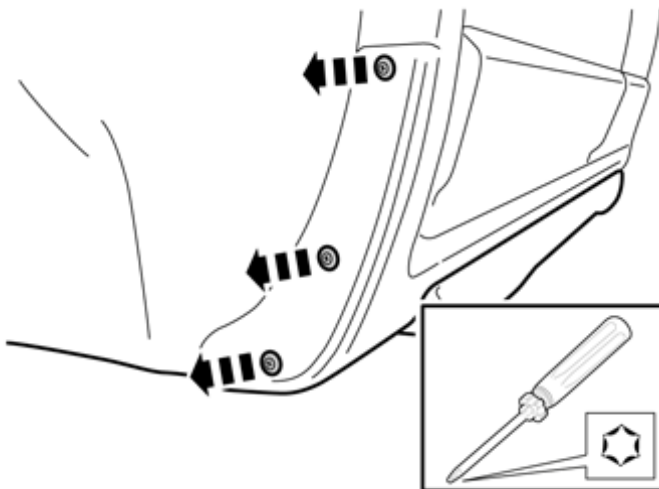
Carry out the procedures on both sides of the vehicle.

Mudflaps, front

Mudflaps, front

Remove the three screws.

1

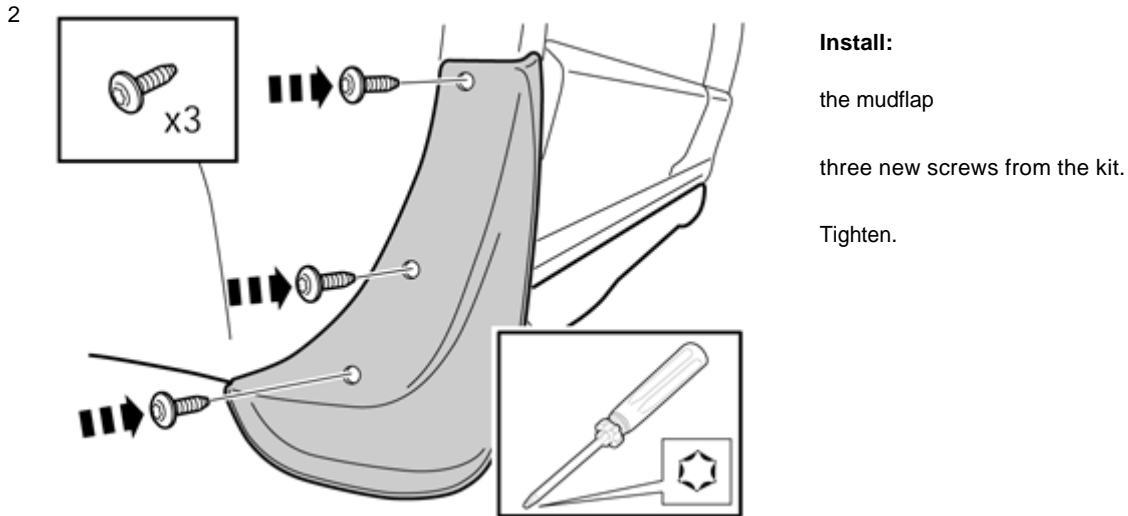


IMG-262224



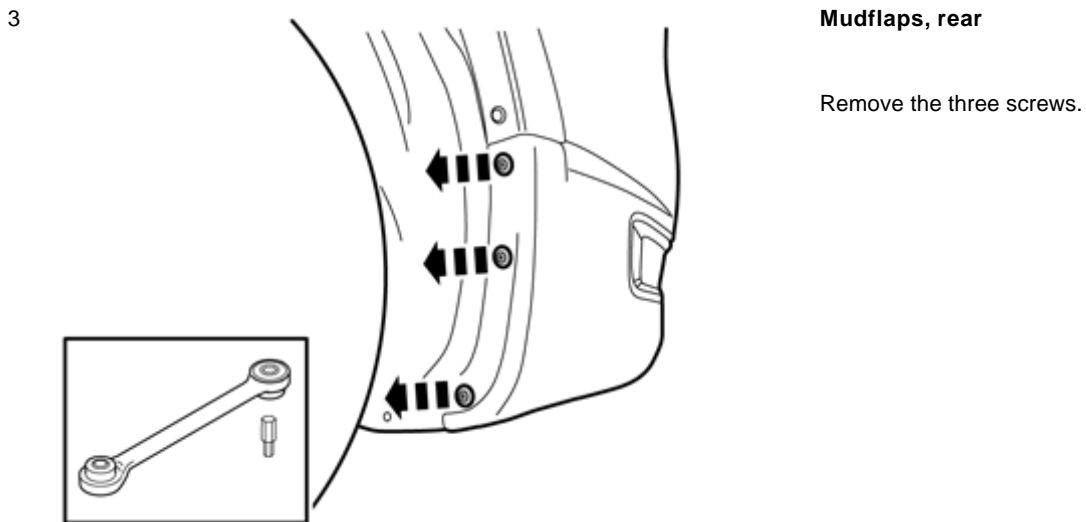
Installation instructions, accessories

Volvo Car Corporation Gothenburg, Sweden



IMG-262225

Mudflaps, rear



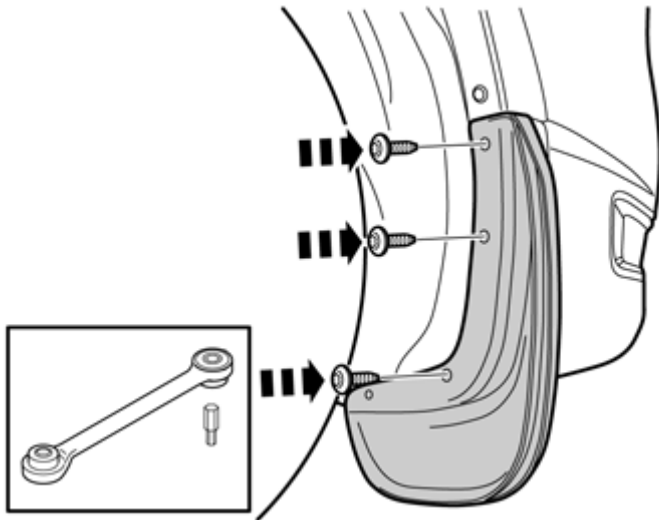
IMG-262229



Installation instructions, accessories

Volvo Car Corporation Gothenburg, Sweden

4



IMG-262230

Install:

the mudflap

three new screws from the kit.

Tighten.